

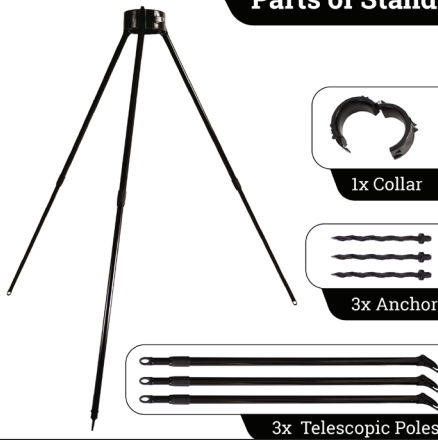
- 60 second Setup
- Allows natural root stimulation
- Promote Natural Movement

- Reusable
- Professional
- DOESN'T ATTACH to the tree.

Kradl's patent pending Tree Staking Kit is the optimal choice for supporting trees. Our innovation encourages natural growth with less intrusion.

KRADL TREE STAKING KIT

Parts of Stand



SPECIFICATIONS AND FEATURES

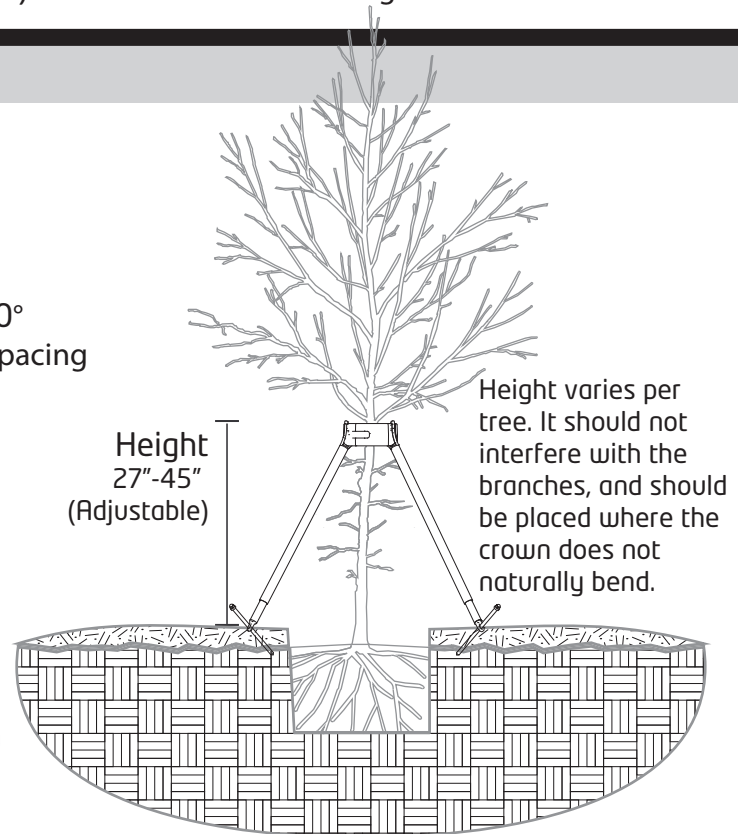
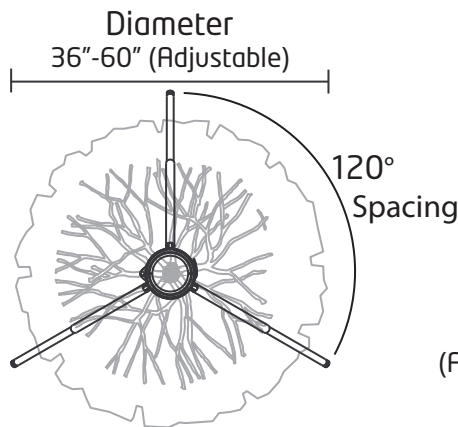
MATERIALS

Carbon Steel, Powder Coated Poles
U.V. Resistant HDPE Collar
U.V. Resistant plastic blends (Fittings)
Zinc Coated Steel (Nut and Bolt)
Steel & Aluminum (Rivets)

FEATURES

Tool Free Assembly
Convex Collar and rounded edges to prevent bark damage.
Independent Telescoping Legs
90° Rotating Feet

MEASUREMENTS



INSTRUCTIONS

1. Clip Legs



2. Close ring around the trunk just inside the crown or just below the crown.*



3. TWIST POLES to unlock, extend, and lock at desired length.



4. Rotate Foot



5. Stake angled towards the tree.



*If there is a prevailing wind or external force, place the tree against the side of the collar that will best prevent slanted growth.

**Tree Wrap is recommended around the trunk of the tree inside the collar if harsh winter or high winds are common in the area.